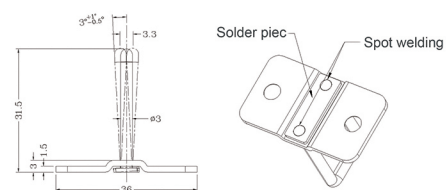
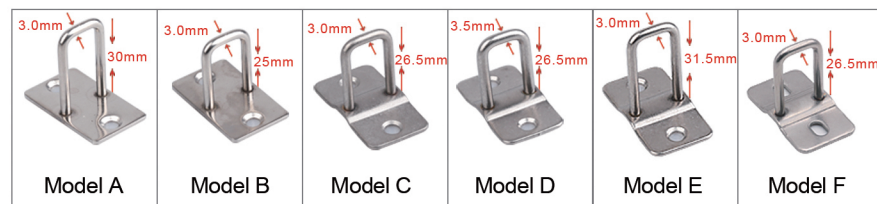
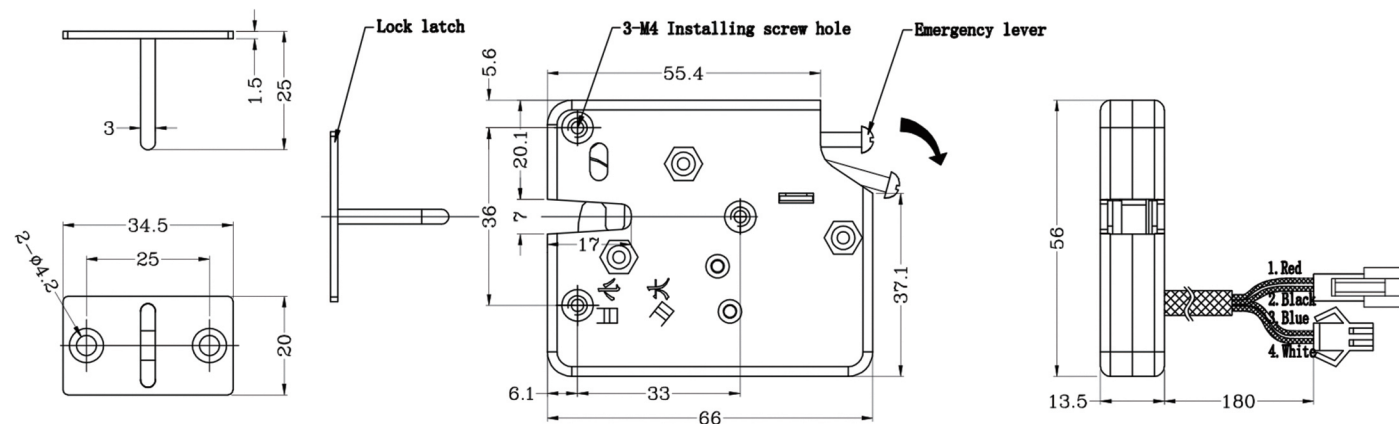


KR-S66



- AWG24 wires with PVC protecting tube
- Solenoid driven, support 12V & 24V.
- Anti-force performance as 250kgf.
- Omron detective switch from Japan, working life as 500,000 times.
- Mechanical emergency lever, can be unlocked manually in case of power failure.
- Support customizing wires and connectors.
- 430 stainless steel lock shell, Zinc Alloy lock tongue, can pass more than 72 hours salt spray test.



Movable Lock Hook

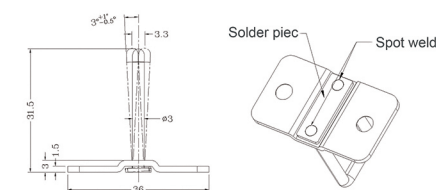
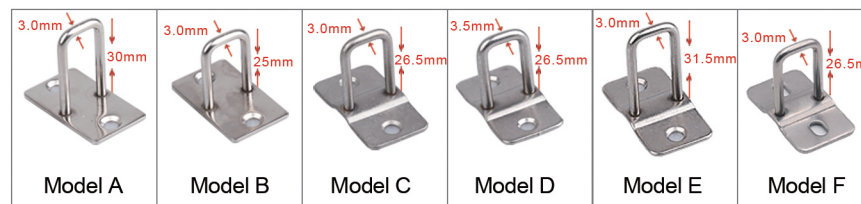
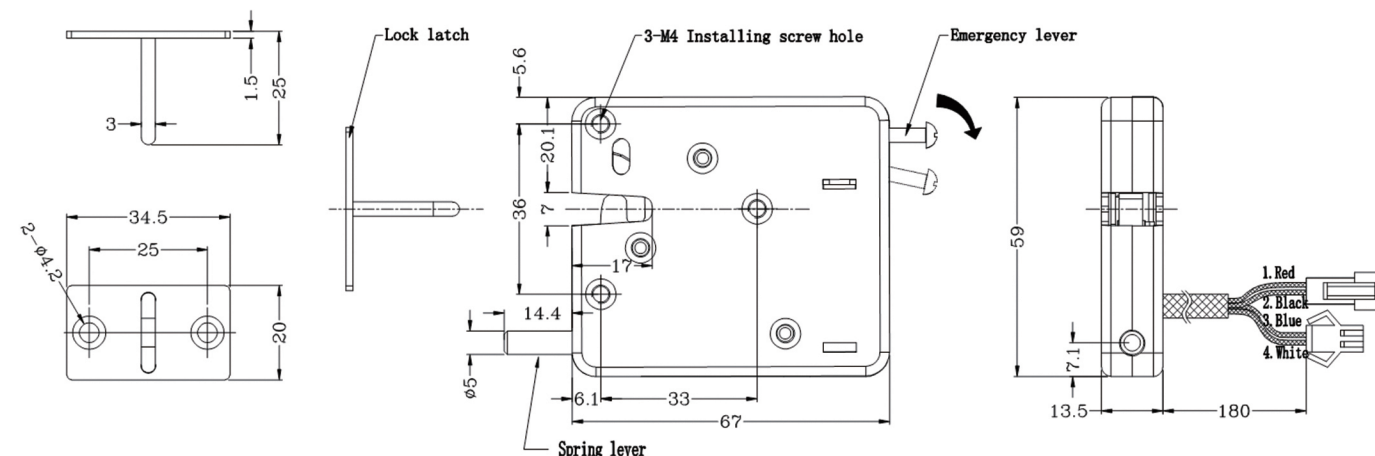


Material of lock body	430 Stainless steel
Material of lock tongue	Zinc Alloy
Surface treatment	Passivation
Door weight	0.5KG~4KG
Working voltage	DC12V or DC24V
Working current	0.8A~2A
Maximum power	24W
Working temperature	-40°C ~ +75°C
Working humidity	5% ~ 95%RH

KR-S66N



- AWG24 wires with PVC protecting tube
- Solenoid driven, support 12V & 24V.
- Anti-force performance as 250kgf.
- Omron detective switch from Japan, working life as 500,000 times.
- Mechanical emergency lever, can be unlocked manually in case of power failure.
- Support customizing wires and connectors.
- 430 stainless steel lock shell, Zinc Alloy lock tongue, can pass more than 72 hours salt spray test.
- Push lever help you push door open, also can be removed.



Movable Lock Hook

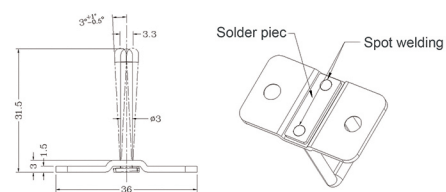
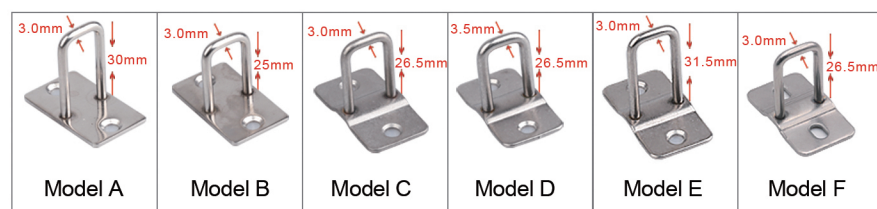
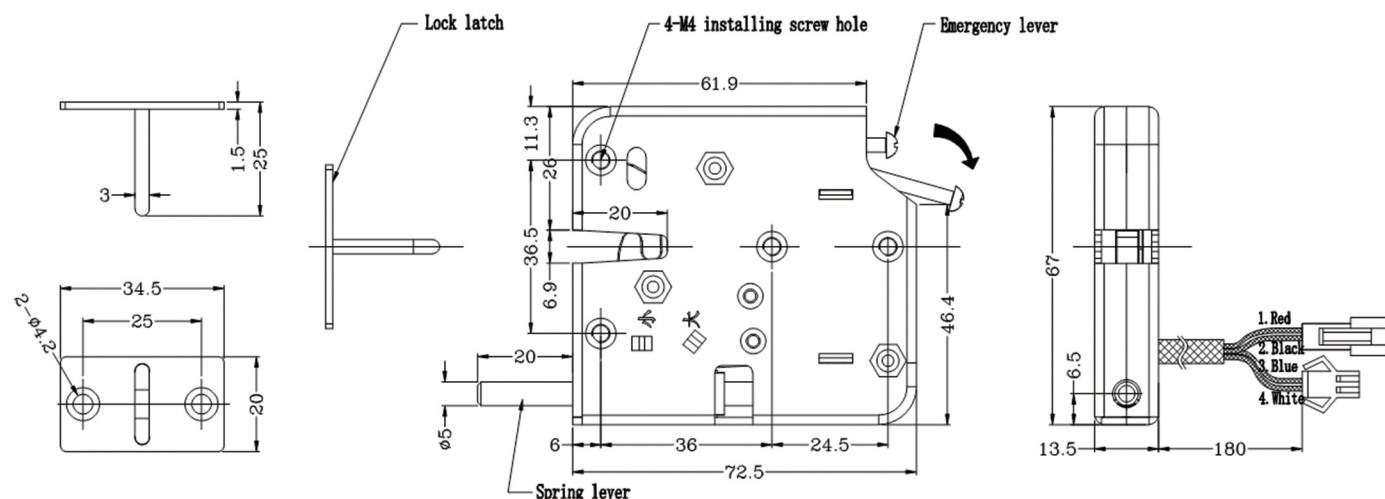


Material of lock body	430 Stainless steel
Material of lock tongue	Zinc Alloy
Surface treatment	Passivation
Door weight	0.5KG~4KG
Working voltage	DC12V or DC24V
Working current	0.8A~2A
Maximum power	24W
Working temperature	-40°C ~ +75°C
Working humidity	5% ~ 95%RH

KR-S99



- AWG24 wires with PVC protecting tube
- Solenoid driven, support 12V & 24V.
- Anti-force performance as 250kgf.
- Omron detective switch from Japan, working life as 500,000 times.
- Mechanical emergency lever, can be unlocked manually in case of power failure.
- Support customizing wires and connectors.
- 430 stainless steel lock shell, Zinc Alloy lock tongue, can pass more than 72 hours salt spray test.
- Push lever help you push door open, also can be removed.

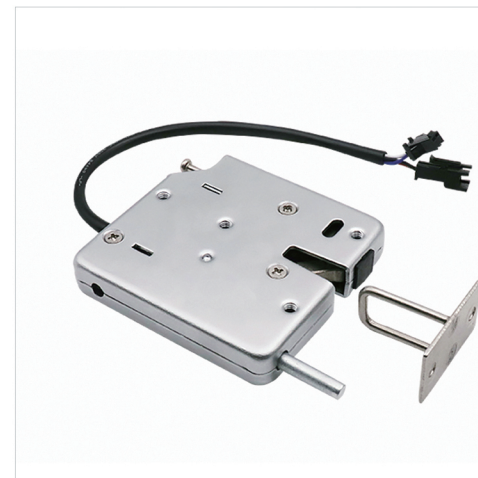


Movable Lock Hook

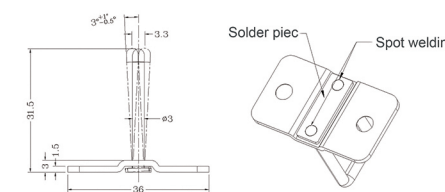
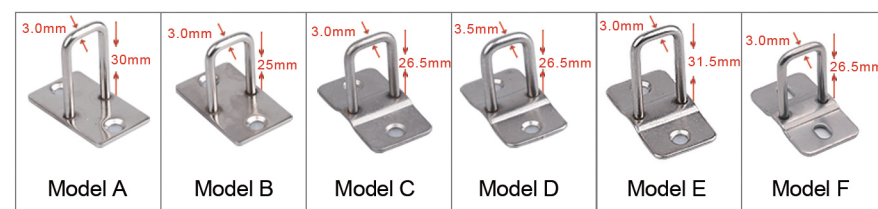
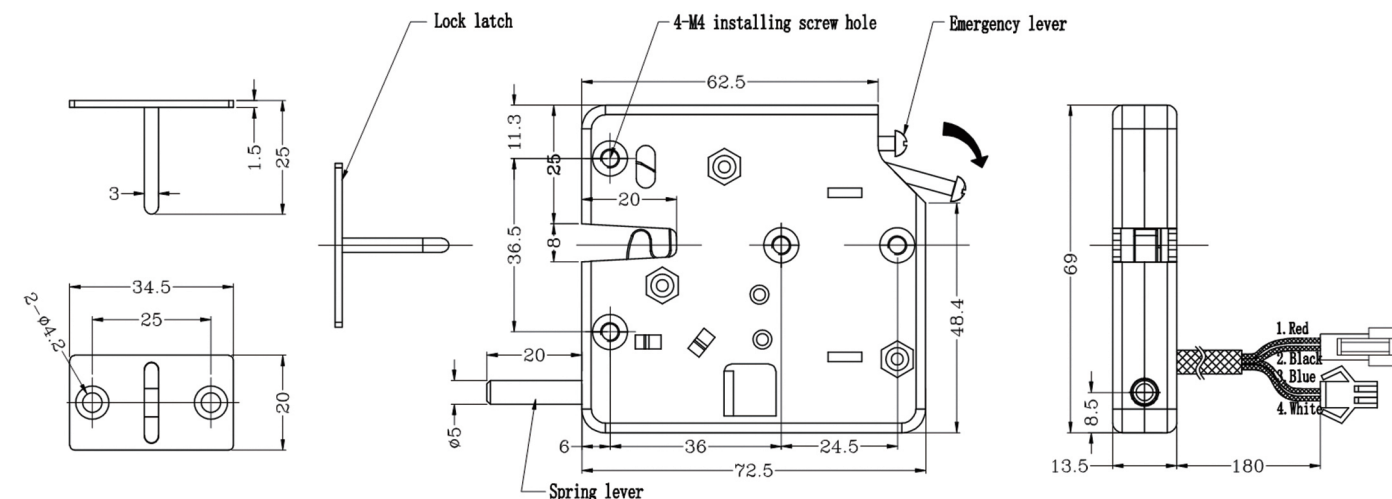
Material of lock body	430 Stainless steel
Material of lock tongue	Zinc Alloy
Surface treatment	Passivation
Door weight	0.5KG~4KG
Working voltage	DC12V or DC24V
Working current	0.8A~2A
Maximum power	24W
Working temperature	-40°C ~ +75°C
Working humidity	5% ~ 95%RH



KR-S99N



- AWG24 wires with PVC protecting tube
- Solenoid driven, support 12V & 24V.
- Anti-force performance as 250kgf.
- Omron detective switch from Japan, working life as 500,000 times.
- Mechanical emergency lever, can be unlocked manually in case of power failure.
- Support customizing wires and connectors.
- 430 stainless steel lock shell, Zinc Alloy lock tongue, can pass more than 72 hours salt spray test.
- Push lever help you push door open, also can be removed.



Movable Lock Hook

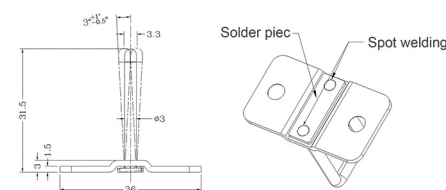
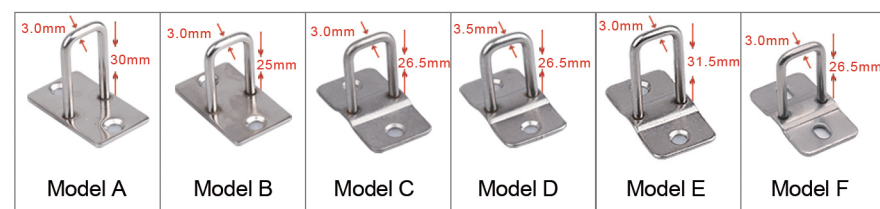
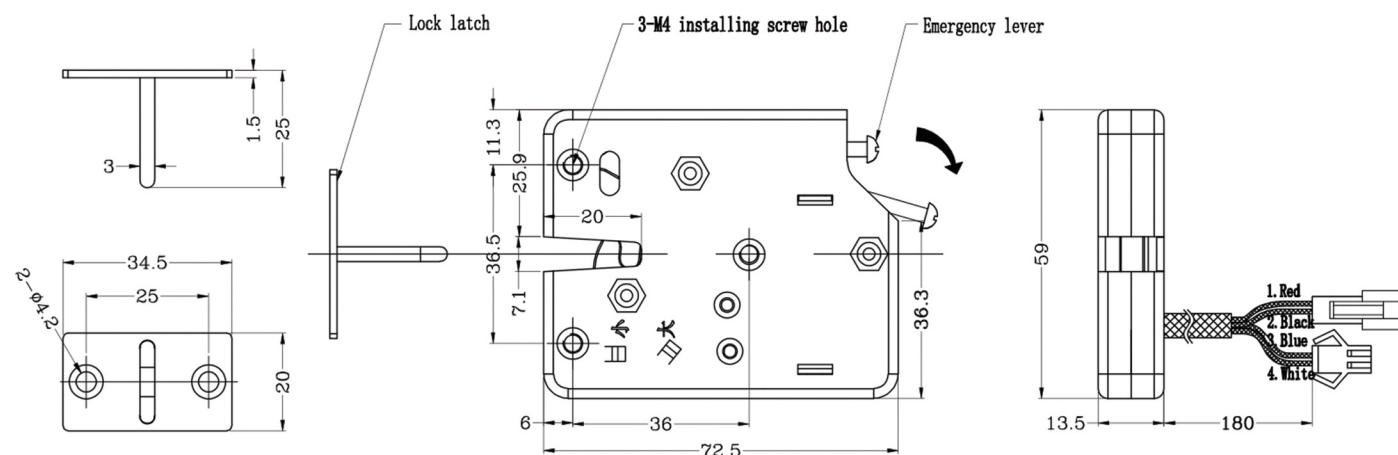
Material of lock body	430 Stainless steel
Material of lock tongue	Zinc Alloy
Surface treatment	Passivation
Door weight	0.5KG~4KG
Working voltage	DC12V or DC24V
Working current	0.8A~2A
Maximum power	24W
Working temperature	-40°C ~ +75°C
Working humidity	5% ~ 95%RH



KR-S1408



- AWG24 wires with PVC protecting tube
- Solenoid driven, support 12V & 24V.
- Anti-force performance as 250kgf.
- Omron detective switch from Japan, working life as 500,000 times.
- Mechanical emergency lever, can be unlocked manually in case of power failure.
- Support customizing wires and connectors.
- 430 stainless steel lock shell, Zinc Alloy lock tongue, can pass more than 72 hours salt spray test.



Movable Lock Hook

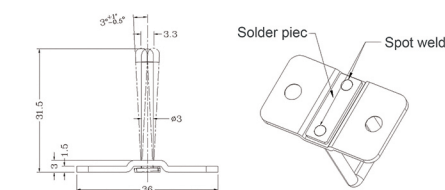
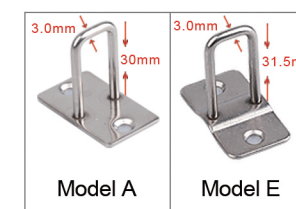
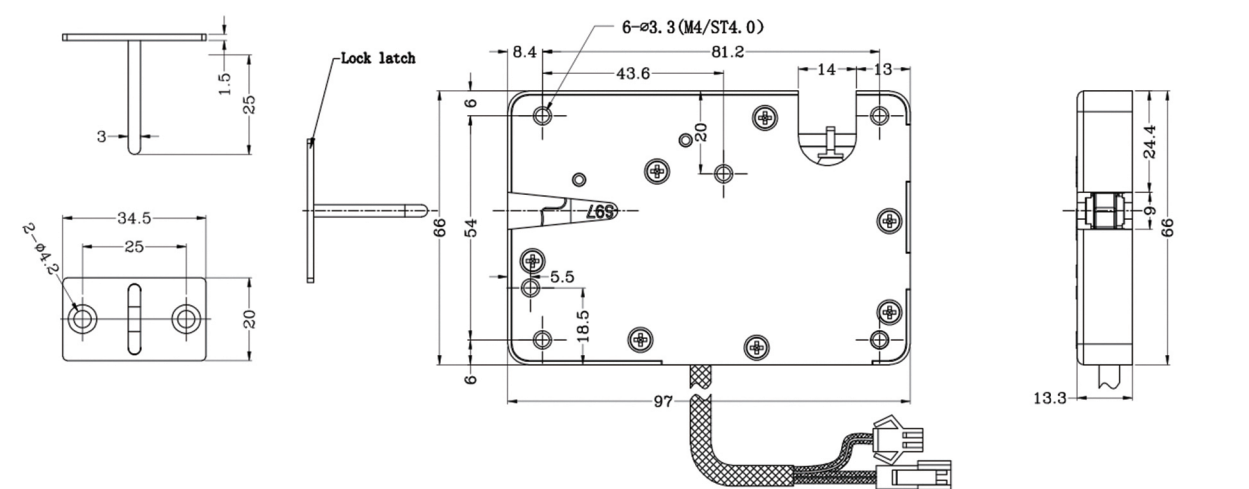


Material of lock body	430 Stainless steel
Material of lock tongue	Zinc Alloy
Surface treatment	Passivation
Door weight	0.5KG~4KG
Working voltage	DC12V or DC24V
Working current	0.8A~2A
Maximum power	24W
Working temperature	-40°C ~ +75°C
Working humidity	5% ~ 95%RH

KR-S97



- AWG24 wires with PVC protecting tube
- Solenoid driven, support 12V & 24V.
- Anti-force performance as 110kgf.
- Omron detective switch from Japan, working life as 500,000 times.
- Mechanical emergency lever, can be unlocked manually in case of power failure.
- Support customizing wires and connectors.
- Push lever help yo push door open, push strength can be adjusted.
- Can be waterproof, all electronic parts are protected into a waterproof box, IR rating as IP65.



Movable Lock Hook

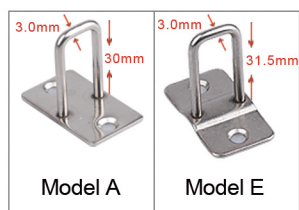
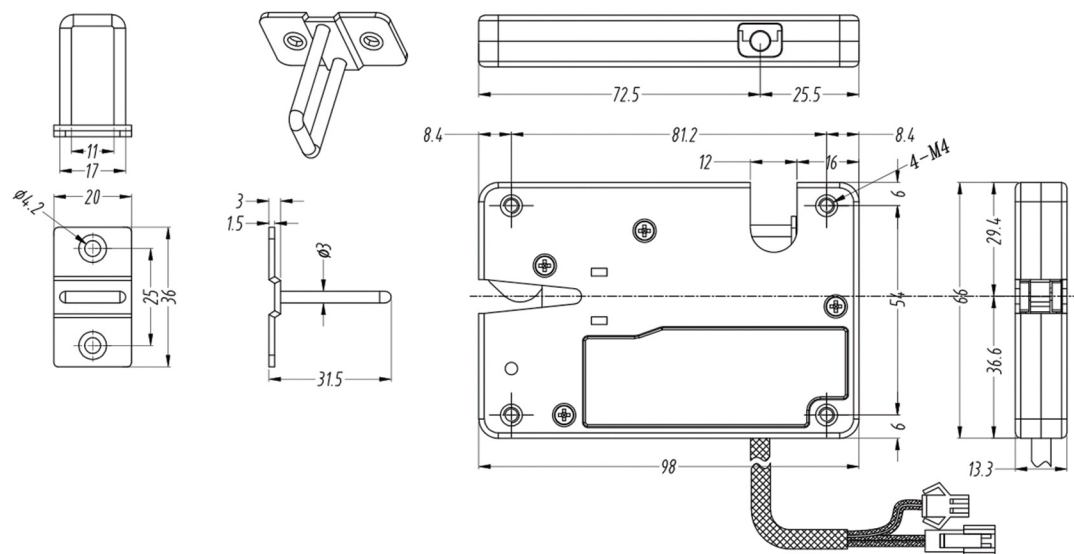


Material of lock body	ABS+PC
Material of lock tongue	Zinc Alloy
IP rating	IP65
Door weight	0.5KG~4KG
Working voltage	DC12V or DC24V
Working current	0.8A~2A
Maximum power	24W
Working temperature	-40°C ~ +75°C
Working humidity	5% ~ 95%RH

KR-S98A



- AWG24 wires with PVC protecting tube
- Motor driven, low power consumption, more stable.
- 430 stainless steel, Zinc Alloy lock tongue, can pass more than 72 hours salt spray test.
- Mechanical emergency lever, can be unlocked manually in case of power failure.
- Omron detective switch from Japan, with working life as 500,000 times.
- Can be waterproof, all electronic parts are protected in the ABS box, IP rating is IP65.
- Support customizing wires and connectors.



Movable Lock Hook

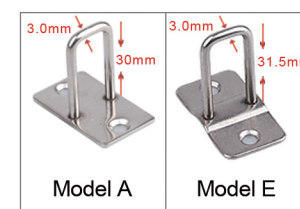
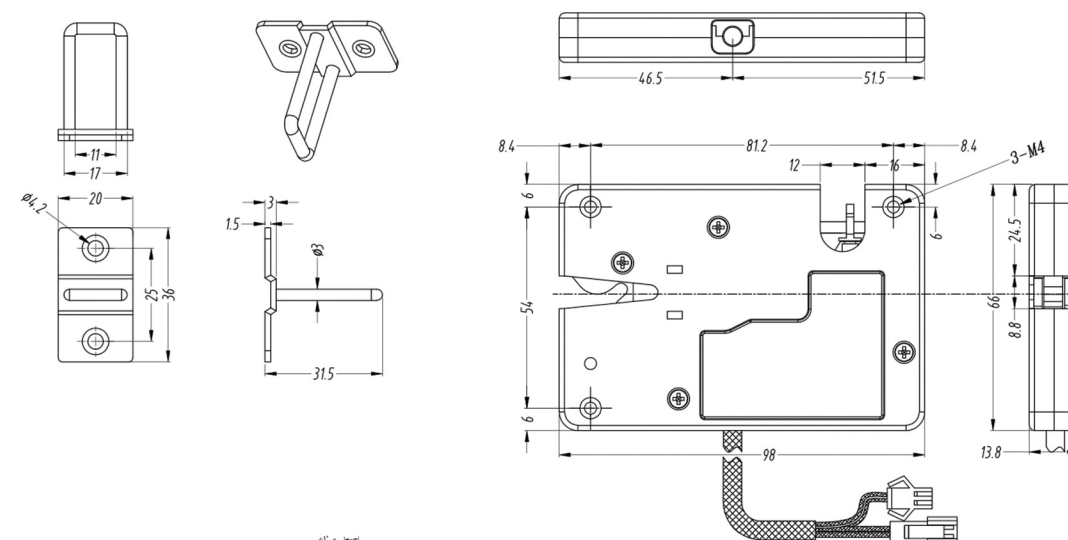
Material of lock body	430 Stainless steel
Material of lock tongue	Zinc Alloy
Surface treatment	Passivation
Door weight	10KG~50KG
Working voltage	DC8V~24V (typical: 12V)
Working current	100mA @ 12V
Maximum power	1.2W
Working temperature	-40°C ~ +75°C
Working humidity	5% ~ 95%RH



KR-S98C



- AWG24 wires with PVC protecting tube
- Solenoid driven, support 12V & 24V.
- 430 stainless steel, Zinc Alloy lock tongue, can pass more than 72 hours salt spray test.
- Mechanical emergency lever, can be unlocked manually in case of power failure.
- Omron detective switch from Japan, with working life as 500,000 times.
- Can be waterproof, all electronic parts are protected in the ABS box, IP rating is IP65.
- Support customizing wires and connectors.



Movable Lock Hook

Material of lock body	430 Stainless steel
Material of lock tongue	Zinc Alloy
Surface treatment	Passivation
Door weight	0.5KG~4KG
Working voltage	DC12V or DC24V
Working current	0.8A~2A
Maximum power	24W
Working temperature	-40°C ~ +75°C
Working humidity	5% ~ 95%RH



KR-S78



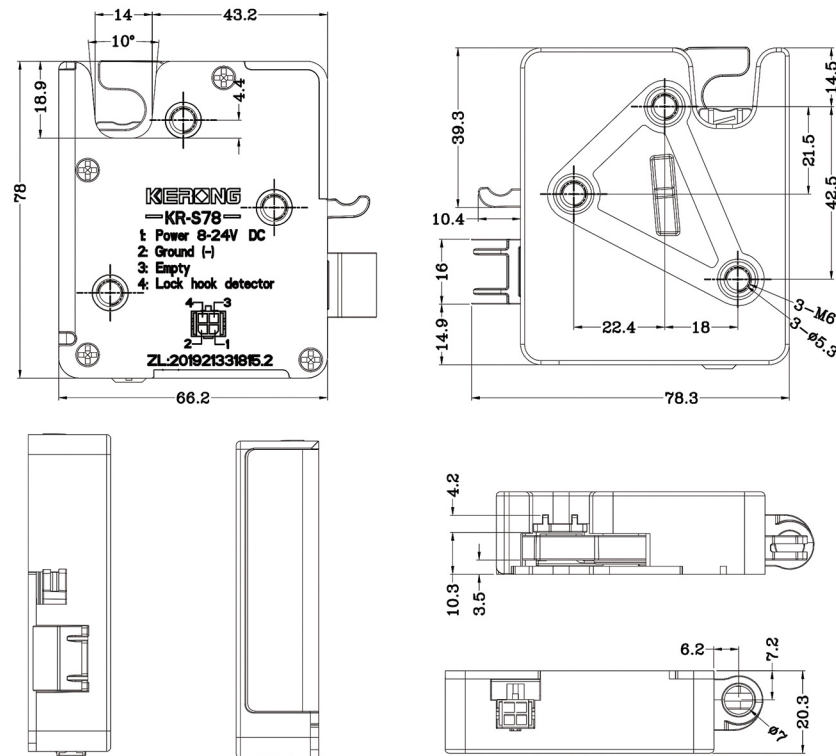
- AWG24 wires with PVC protecting tube
- Motor driven, low power consumption, and more stable.
- 304 stainless steel lock shell.
- Zinc Alloy lock tongue, can pass more than 72 hours salt spray test.
- Mechanical emergency lever, can be unlocked manually in case of power failure.
- Omron detective switch from Japan, working life as 500,000 times.
- Support customizing wires and connectors.



Hook



Concealed Connecting Port



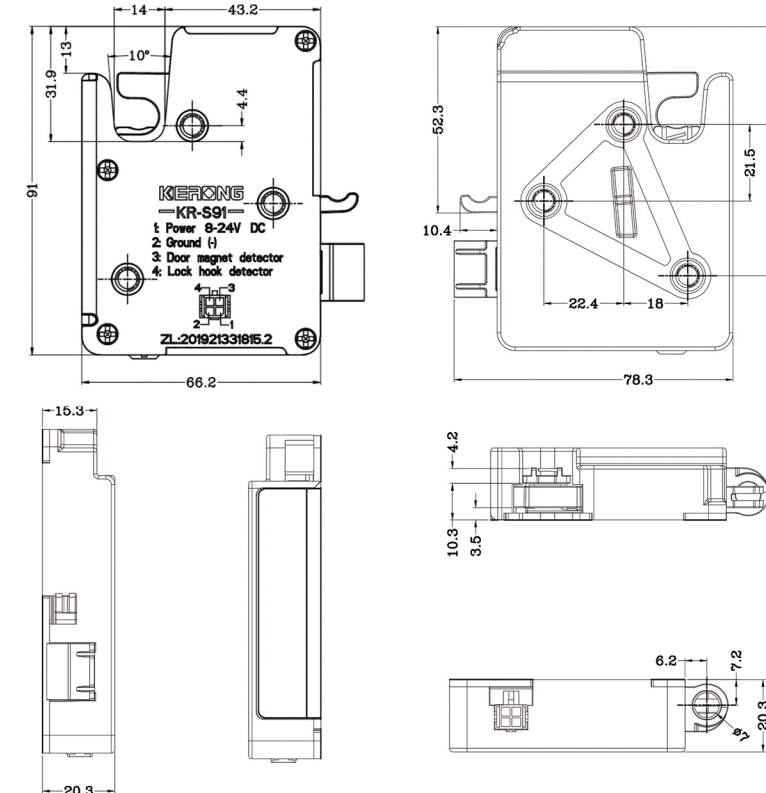
Material of lock body	304 Stainless steel
Material of lock tongue	Zinc Alloy
Current	60mA@12V
Power consumption	0.72W
Revolution speed	4.5Rev/s
Response time	1S
Voltage	8V-24V (typical:12V)
Working temperature	-40°C ~ +75°C
Working humidity	5% ~ 95%RH



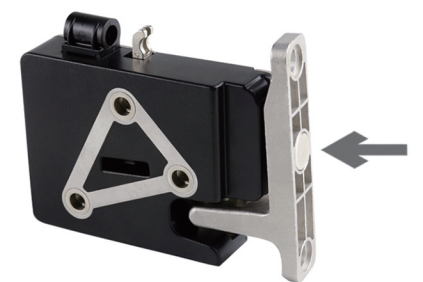
KR-S91



- AWG24 wires with PVC protecting tube
- Motor driven, low power consumption, and more stable.
- 304 stainless steel lock shell.
- Zinc Alloy lock tongue, can pass more than 72 hours salt spray test.
- Mechanical emergency lever, can be unlocked manually in case of power failure.
- Omron detective switch from Japan, working life as 500,000 times.
- With door magnet detective function, to check whether the cabinet door is closed well.
- Support customizing wires and connectors.



Hook



Door Magnetic Detection

Material of lock body	304 Stainless steel
Material of lock tongue	Zinc Alloy
Current	60mA@12V
Power consumption	0.72W
Revolution speed	4.5Rev/s
Response time	1S
Voltage	8V-24V (typical:12V)
Working temperature	-40°C ~ +75°C
Working humidity	5% ~ 95%RH



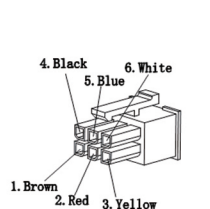
KR-S79



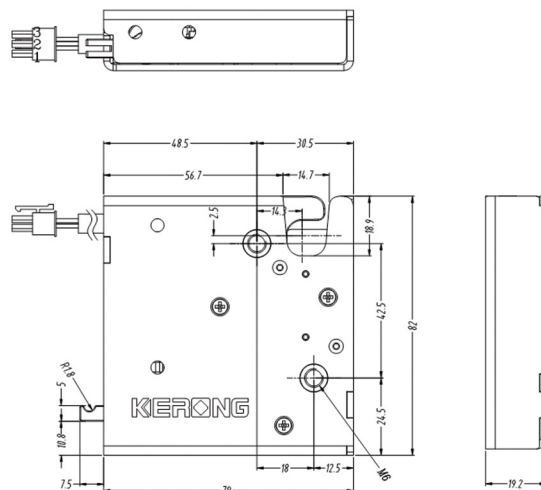
- Motor driven, low power consumption, and more stable.
- 304 stainless steel lock shell, thickness as 2.0mm, strong enough.
- Zinc Alloy lock tongue, can pass more than 72 hours salt spray test. Thickness as 6.0mm, not easy to be broken.
- Mechanical emergency lever, can be unlocked manually in case of power failure.
- Omron detective switch from Japan, working life as 500,000 times.
- Five kinds working signal modes, can meet different customers' requirements.
- Can be waterproof, IP rating as IP65.



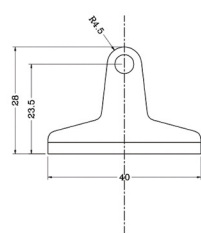
Waterproof -- IP65



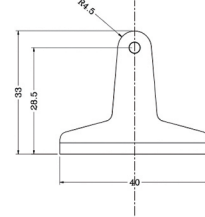
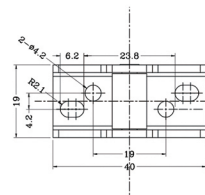
Pin1: Brown: Ground (-)
 Pin2: Red: Pwr 8 to 26Volts DC
 Pin3: Yellow: Control signal 8 to 26 Volts DC
 Pin4: Black: Microswitch Common
 Pin5: Blue: Microswitch N.O Contact
 Pin6: White: Microswitch N.C Contact



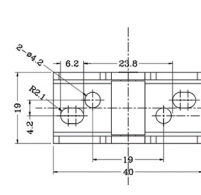
Hook



Hook A



Hook B



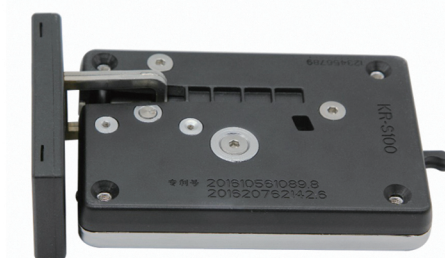
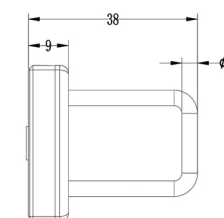
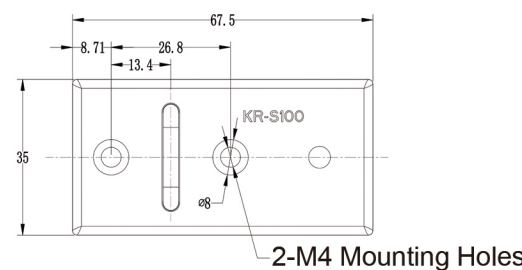
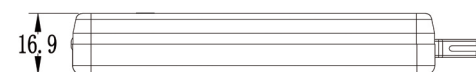
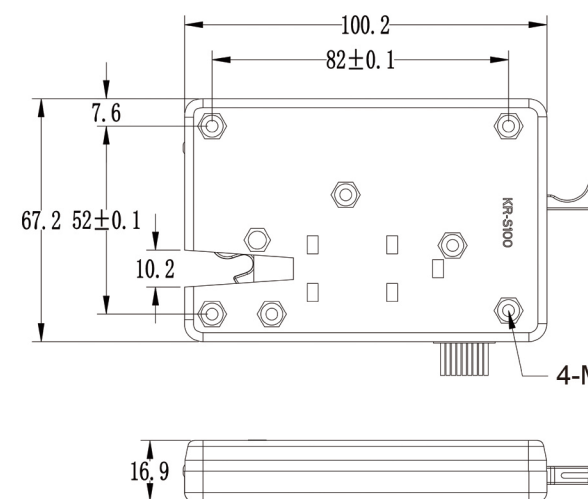
Material of lock body	304 Stainless steel
Material of lock tongue	Zinc Alloy
Working current	100mA@10V
Power consumption	1W
Static current (signal unlock)	<20uA
Revolution speed	4.5 Rev/s
Response time	<300ms
Voltage	8V-24V Typical: 12V
Unlocking times	>300,000 times



KR-S100



- Motor driven, low power consumption, and more stable.
- ABS and carbon steel lock shell.
- Zinc Alloy lock tongue, can pass more than 72 hours salt spray test.
- Mechanical emergency lever, can be unlocked manually in case of power failure.
- Omron detective switch from Japan, working life as 500,000 times.
- With rich functions, such as door magnet detection, shake alarm, signal unlock, etc.
- Support customizing wires and connectors.



Hook

Material of lock body	Carbon steel+ABS
Weight with lock hook	270g
Size	100.2*67.2*16.9mm
Door weight	0.5KG~4KG
Working voltage	DC8V~DC24V
Working way	Unlocked when power on, and locked manually
Maximum power	1.5W
Working temperature	-20℃ ~ +65℃
Working humidity	10% ~ 90%RH





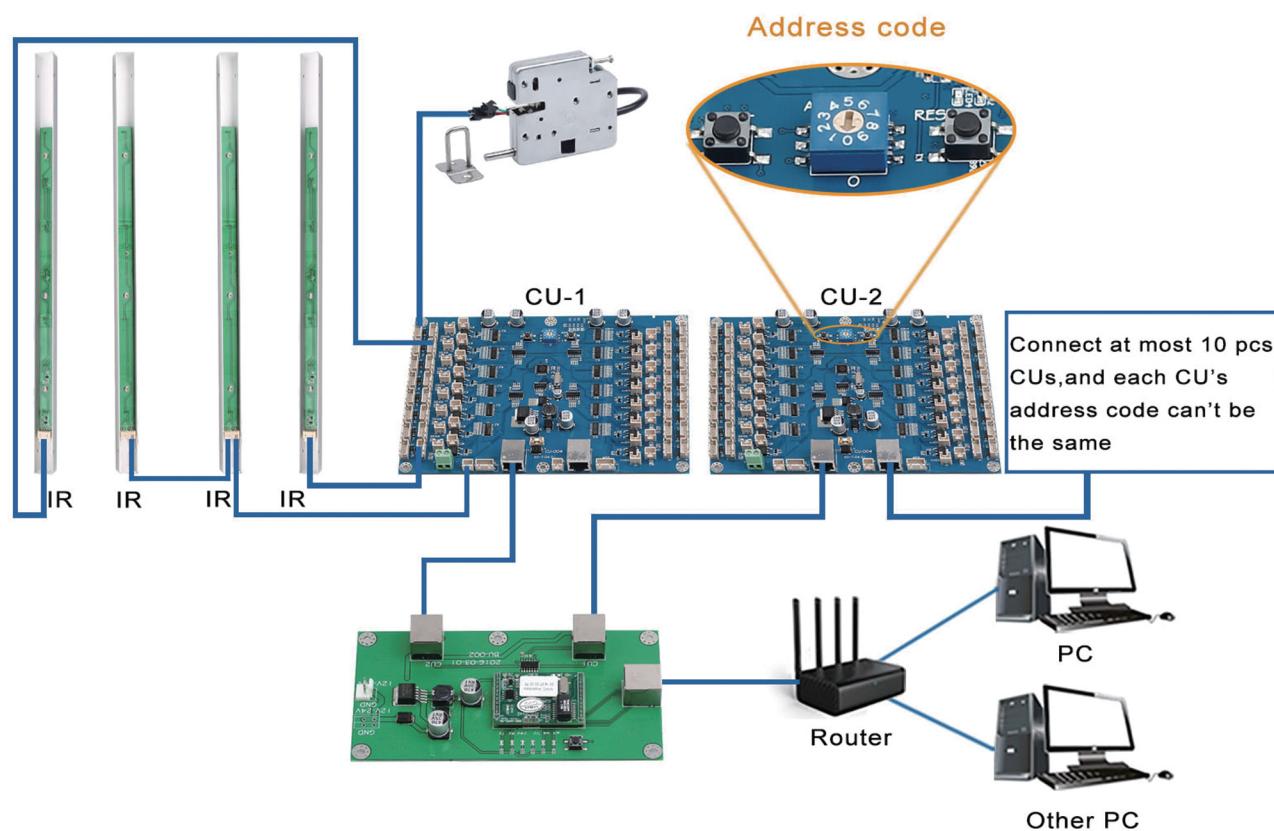
KR-BU

- Used to control the lock, connect the infrared sensor and LED to display the lock and lock cabinet The situation.
- Open developed, you can design software completely as you want.
- Two communication modes are supported: TCP / IP and RS485.
- Can co-work with computer, pad, Raspberry Pi.
- Works well on IOS, Windows and Linux.
- Working temperature: -25°C~65°C.
- With protect box, anti-dust.
- High quality modules, working stably.



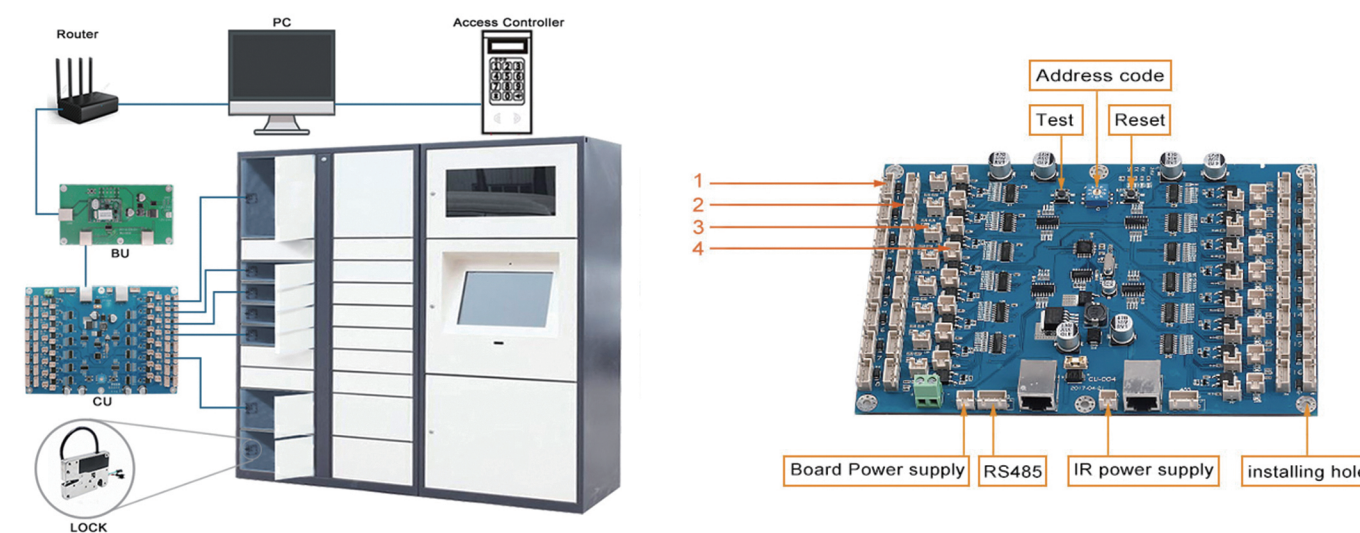
KR-CU

- For network communication. Transfer TCP/IP commands (from PC) to 485 format (to CU).
- Open developed, you can design software completely as you want.
- Two communication modes are supported: TCP / IP and RS485.
- Can work with computers, Pad, Raspberry Pi.
- Suitable for IOS, Windows and Linux.
- Working temperature: -25 ° C ~ 65 ° C.
- With protective box, dustproof.
- High quality modules for stable operation.

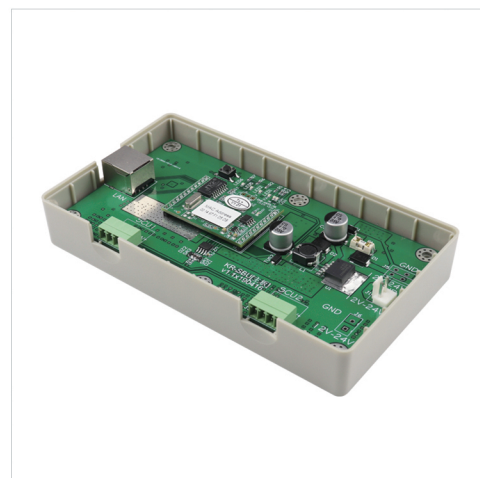


Function	Connect with Internet, transfer command to lock control board
Micro processor module	Module for converting TCP IP into RS485
Connector model	RJ45, 8P8C
Working voltage	12V~24V
Stand-by power consumption	80mA(12V), 40mA(24V)
Dynamic power consumption	100mA(12V), 50mA(24V)

- 1、connecting locks, supply power to locks and detect lock's condition (open/close);
- 2、connecting IR and LED light; IR to check is the locker empty or not; LED light to lighting the locker when lock is open;
- 3、connecting IR feedback light(bi-color); light can be extended to every single locker. Locker is empty, light turns green; locker is occupied, light turns red.
- 4、connecting lock feedback light; light can be extended to every single locker, to show whether the lock is closed or not. Lock open, light turns on; lock close, light turns off.

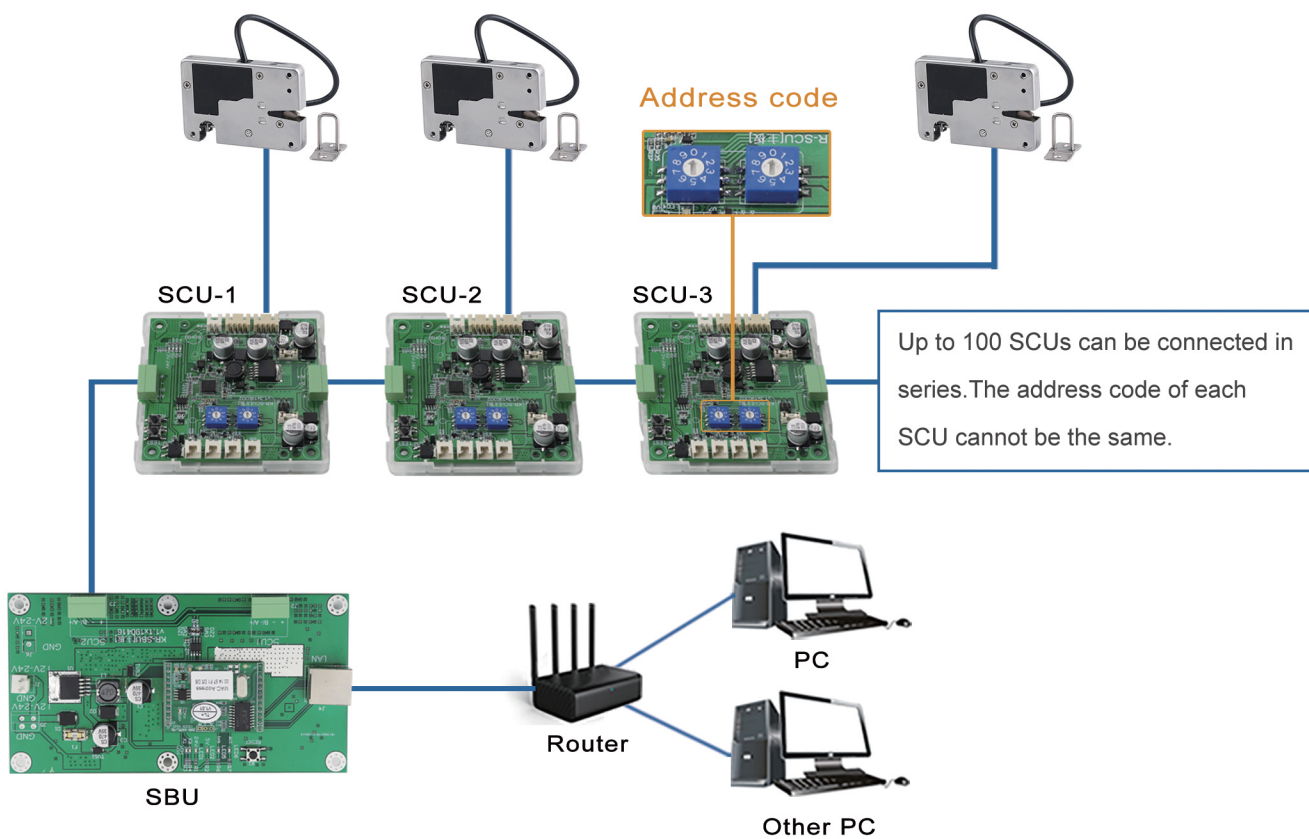


Function	Control locks and feedback lock status
Micro processor module	STM8S103K3T6 QFP32(P0.8mmBS7*7mm)
Connector model	RJ45, 8P8C
Working voltage	12V~24V
Stand-by power consumption	70mA(12V), 40mA(24V)
Dynamic power consumption	Max 3000mA
Reaction time	Less than 1s
Working humidity	10%~90%RH
Communication way	RS485



KR-SBU

- Used to control the lock, connect the infrared sensor and LED to display the lock and lock cabinet The situation.
- Open developed, you can design software completely as you want.
- Two communication modes are supported: TCP / IP and RS485.
- Can co-work with computer, pad, Raspberry Pi.
- Works well on IOS, Windows and Linux.
- Working temperature: -25°C~65°C.
- With protect box, anti-dust.
- High quality modules, working stably.

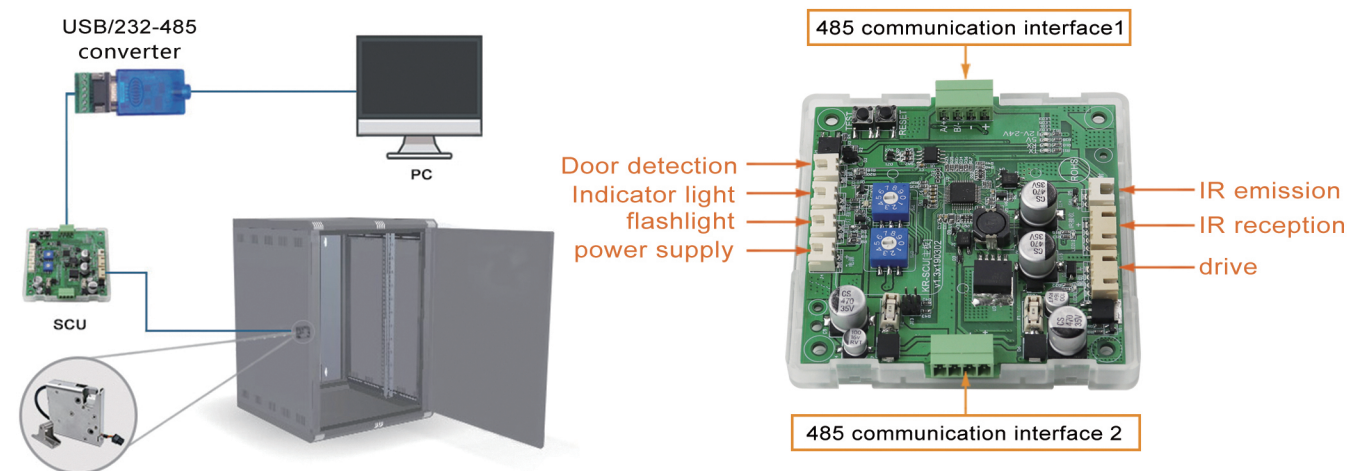


Function	Connect with Internet, transfer command to lock control board
Micro processor module	Module for converting TCP IP into RS485
Connector model	RJ45, 8P8C
Working voltage	12V~24V
Stand-by power consumption	80mA(12V), 40mA(24V)
Dynamic power consumption	100mA(12V), 50mA(24V)



KR-SCU

- For network communication. Transfer TCP/IP commands (from PC) to 485 format (to SCU).
- Open developed, you can design software completely as you want.
- Two communication modes are supported: TCP / IP and RS485.
- Can work with computers, Pad, Raspberry Pi.
- Suitable for IOS, Windows and Linux.
- Working temperature: -25 ° C ~ 65 ° C.
- With protective box, dustproof.
- High quality modules for stable operation.



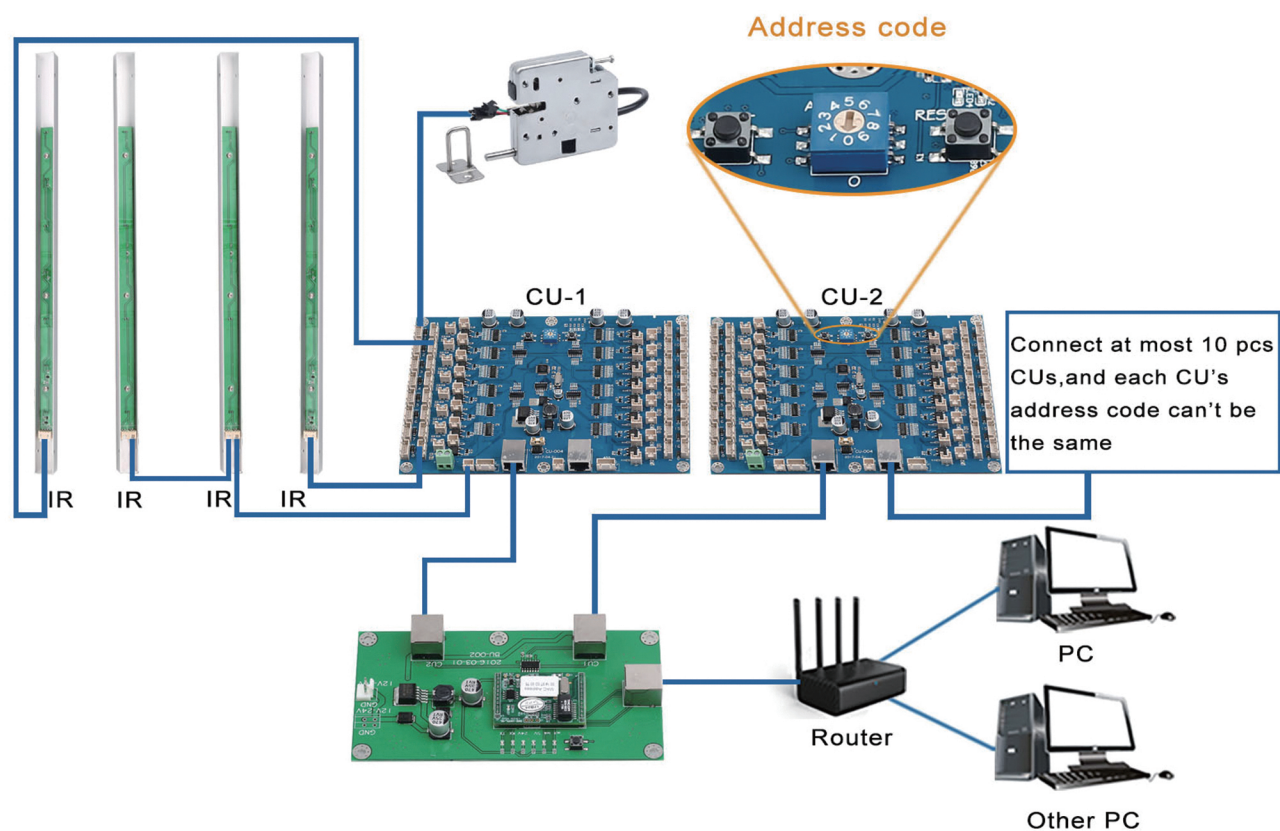
1. connecting locks, supply power to locks and detect lock's condition (open/close);
2. connecting IR and LED light; IR to check is the locker empty or not; LED light to lighting the locker when lock is open;
3. connecting IR feedback light(bi-color); light can be extended to every single locker. Locker is empty, light turns green; locker is occupied, light turns red.
4. connecting lock feedback light; light can be extended to every single locker, to show whether the lock is closed or not. Lock open, light turns on; lock close, light turns off.

Function	Control locks and feedback lock status
Micro processor module	STM8S103K3T6 QFP32(P0.8mmBS7*7mm)
Connector model	RJ45, 8P8C
Working voltage	12V~24V
Standby power consumption	20mA
Dynamic power consumption	Max 3000mA
Reaction time	Less than 1s
Working humidity	10%~90%RH
Communication way	RS485



KR-IR

- 1.Co-work with CU.
- 2.Detecting locker is empty or occupied.
- 3.Supplying light when lock is unlocked, locker is opened.
- 4.Support customizing dimension and color for various locker designs.
- 5.Easy installation. With locker design drawings for better reference.

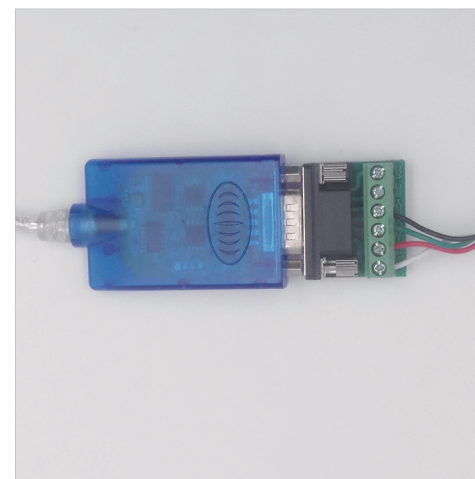


Material	PCB (Printed Circuit Board)+cold rolled plate
Maximum detecting distance	500mm
Function	Detect locker is empty or occupied; supply light when locker is opened
Detector quantity	4 detectors
Connector model	XH2.54 4P; XH2.54 2P
Working voltage	12V~24V



Power Adapter

- Connect with power directly, convert 220V~240V power into 12V or 24V, then supply power to control board and lock.
- Can offer suitable plug according to customers' requirements.



RS485-USB Adaptor

- Connect with PC, transfer commands from PC to lock control board.



Cable for lock to CU

- Connect lock and CU board.
- Support customized connector model and cable length.