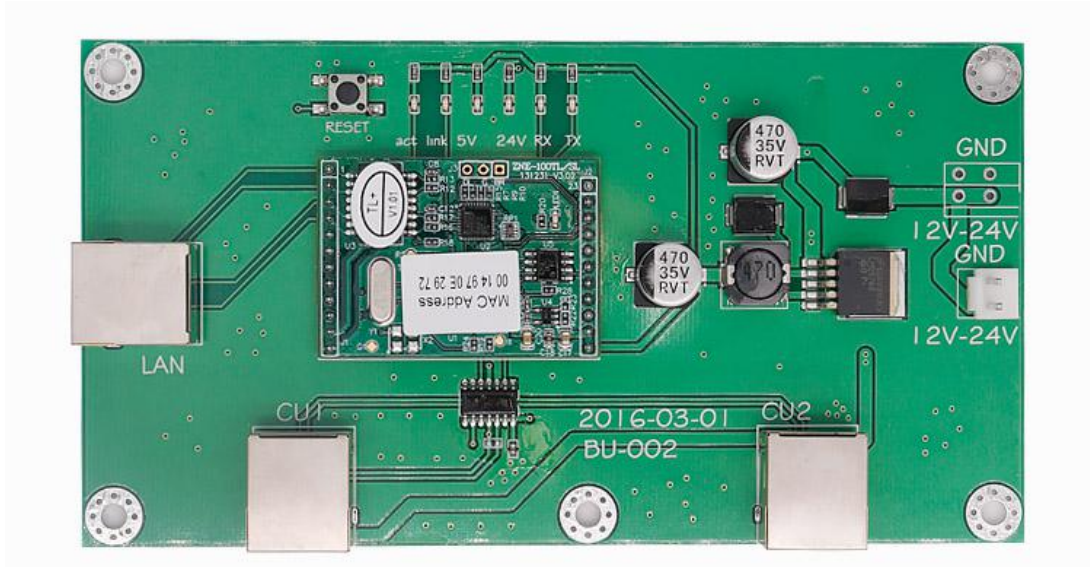


# DESCRIPTION OF KR-BU

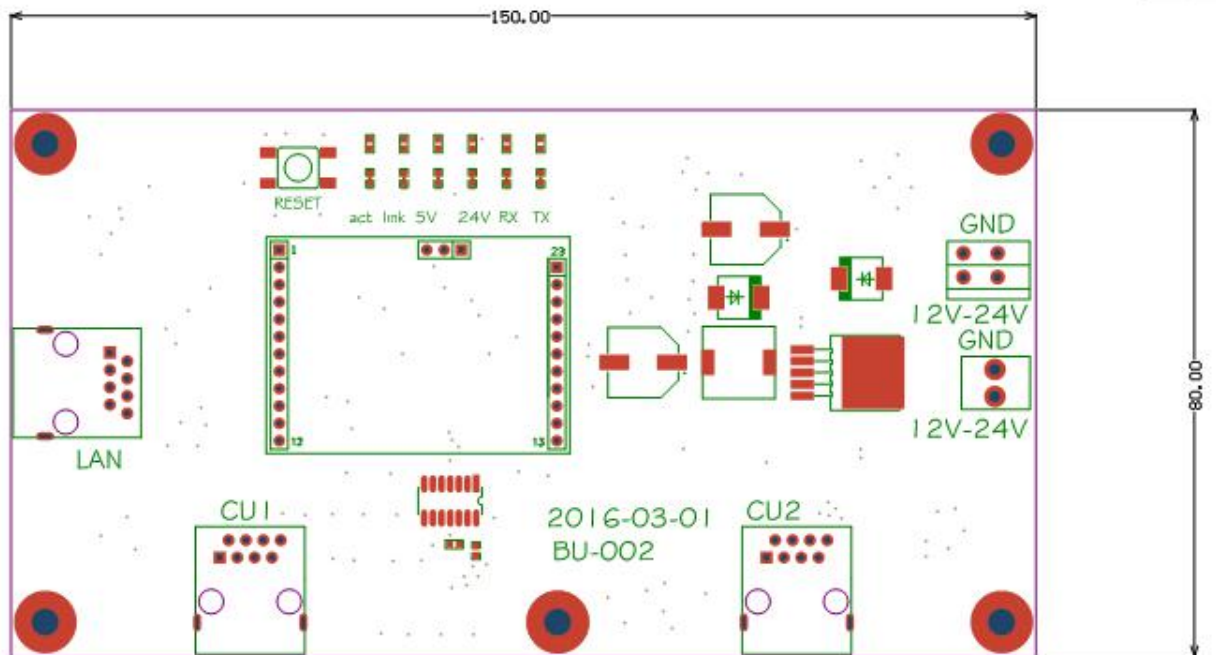
## 1. Pictures



## 2. Parameters

PRODUCT PARAMETERS	
<b>Model</b>	KR- BU
<b>Brand</b>	KERONG
<b>Definition</b>	A PCB to convert Ethernet to RS485
<b>Function</b>	Co-work with CU, for intelligent networking locker system
<b>Dimension</b>	L150*W80*H15mm
<b>Material</b>	PCB (Printed Circuit Board)
<b>Weight</b>	78g
<b>Dimension of protect shell</b>	L160*W90*H35mm
<b>Material of protect shell</b>	ABS
<b>Weight</b>	93g
<b>Network module</b>	ZNE-100TL+
<b>Connector model</b>	RJ45, 8P8C
<b>Working voltage</b>	12V~24V
<b>Stand-by power consumption</b>	60mA
<b>Dynamic power consumption</b>	200mA~3000mA
<b>Reaction time</b>	Less than 500ms
<b>Working temperature</b>	-25°C ~ +65°C
<b>Working humidity</b>	5% ~ 95%RH
<b>Working life</b>	500,000 times
<b>OEM</b>	Accepted
<b>Certification</b>	CE; FCC; RoHS

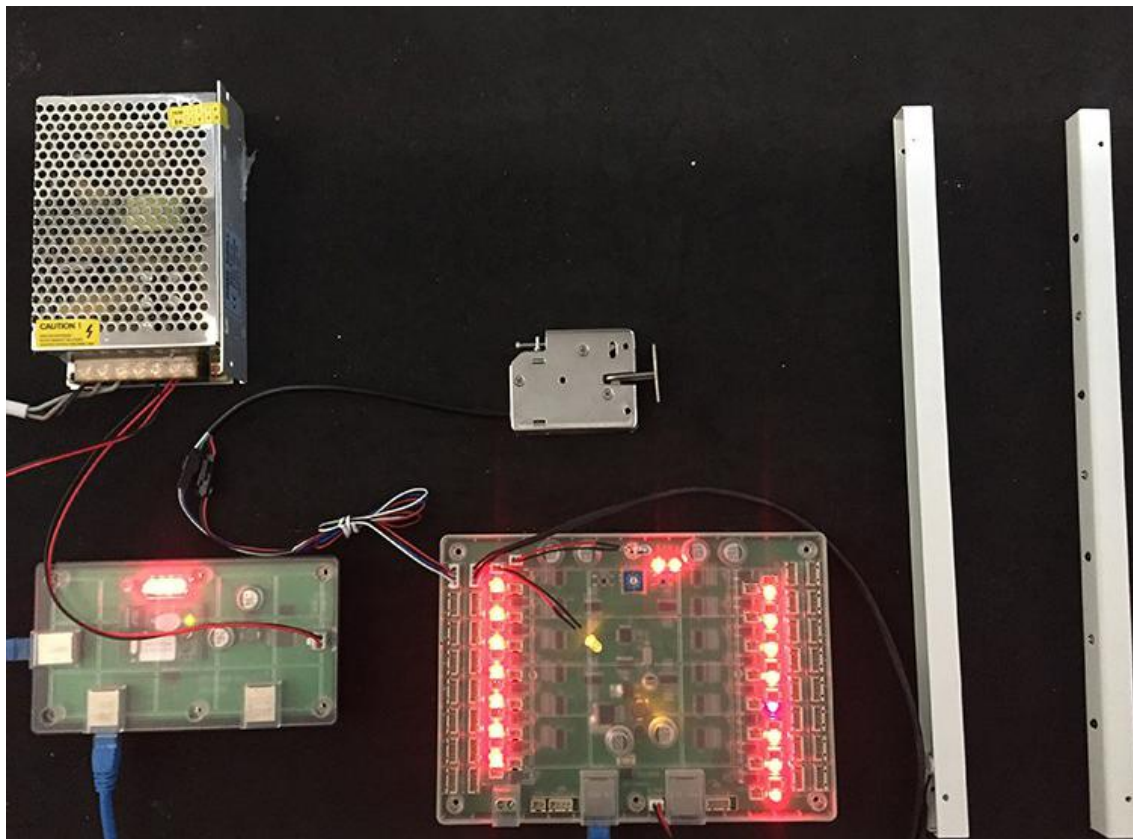
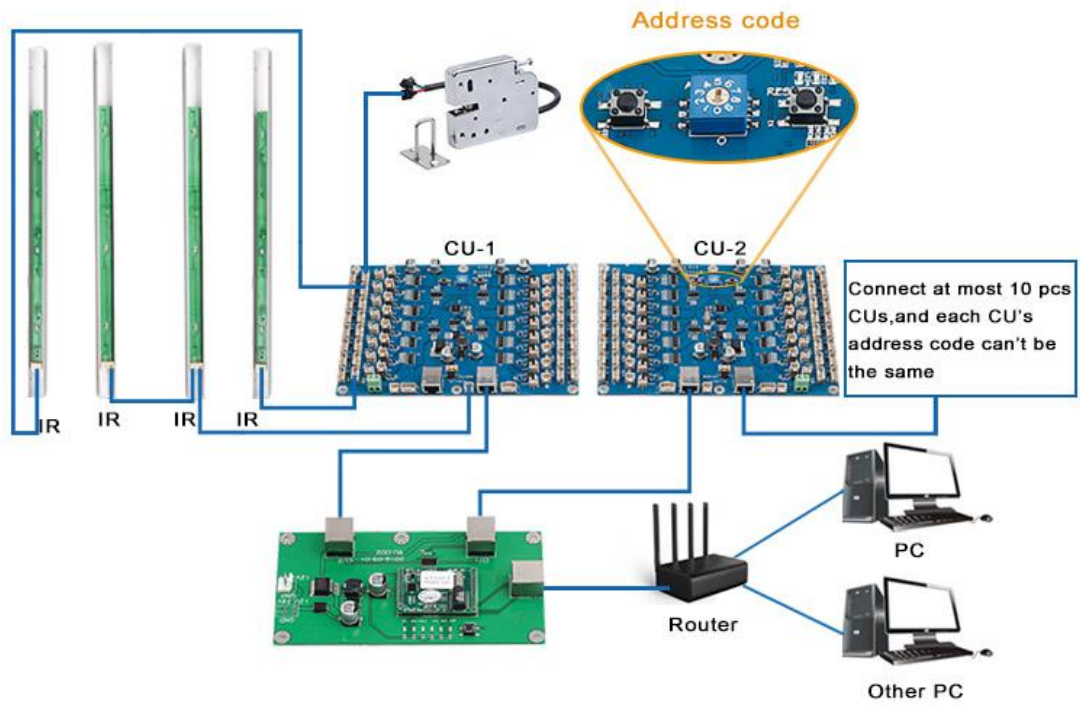
### 3. Board Diagram



### 4. Features:

- 1, For network communication. Transfer TCP/IP commands (from PC) to 485 format (to CU).
- 2, Open developed, you can design software completely as you want.
- 3, Support networking.
- 4, Can co-work with computer, pad, Raspberry Pi.
- 5, Works well on IOS, Windows and Linux.
- 6, Suit for multiple application: parcel delivery locker, public storage locker etc.
- 7, High quality modules, working stably.
- 8, Working temperature:  $-25^{\circ}\text{C}\sim 65^{\circ}\text{C}$ .
- 9, With protect box, anti-dust.

## 5. Connection





## 6. Application

